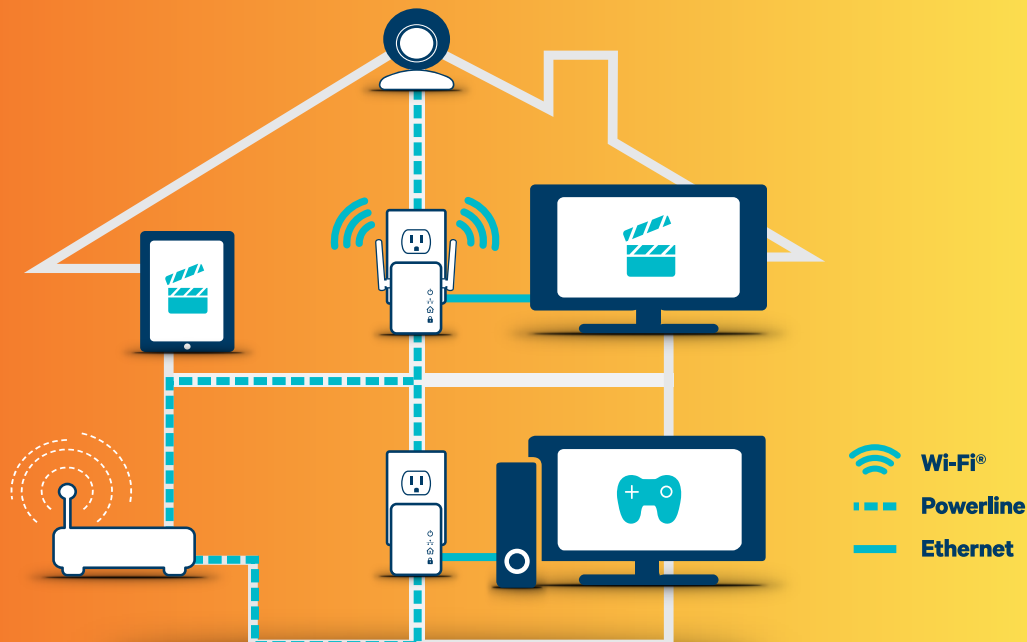


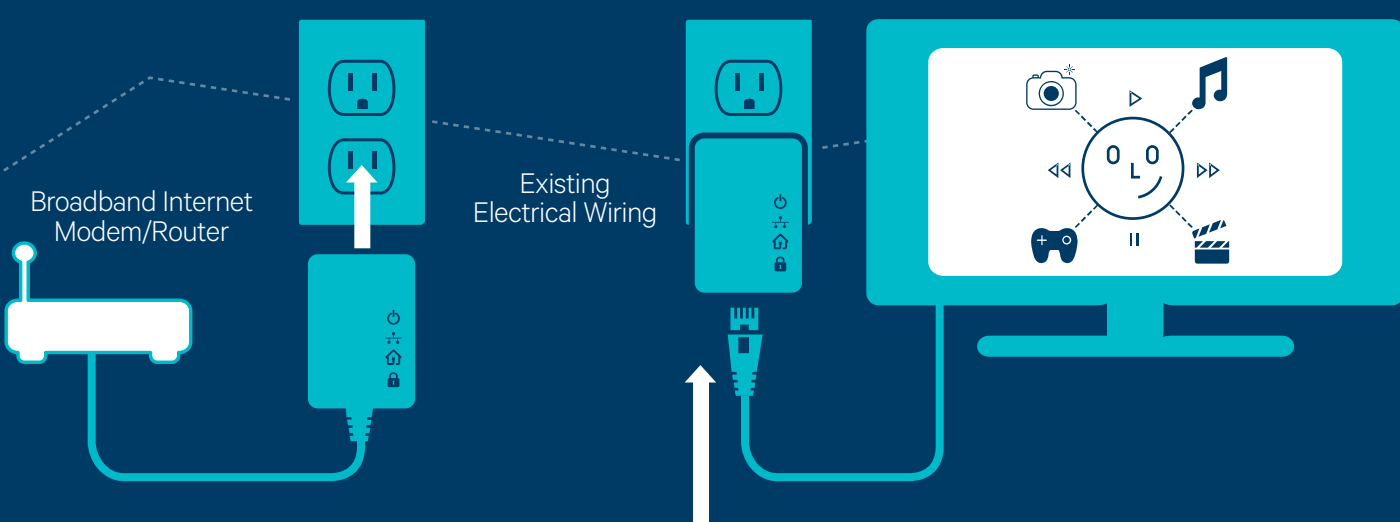
HomePlug® Powerline is ideal to deliver high-speed wired and wireless internet to every room in the home using existing electrical wiring



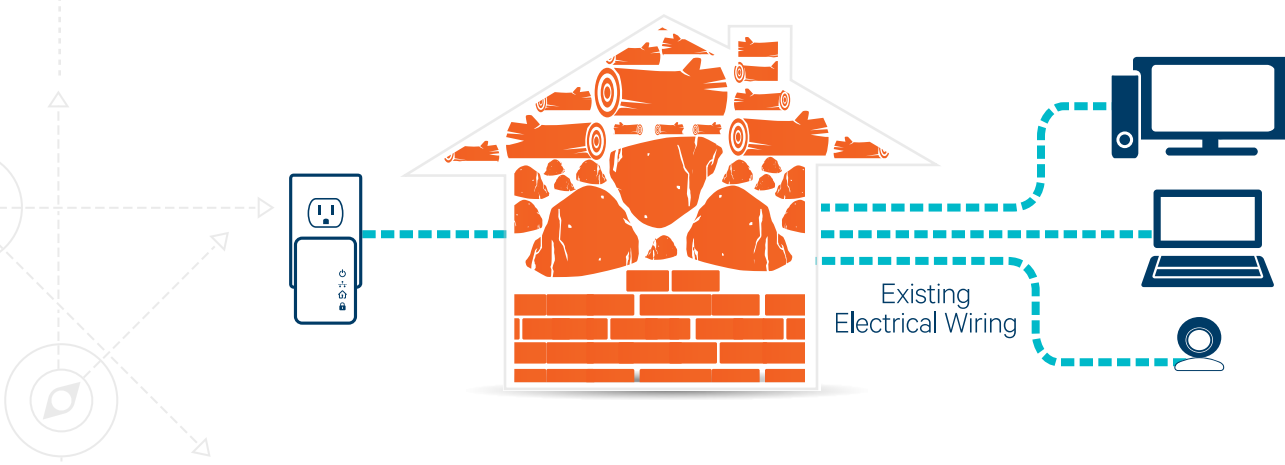
Just 2 simple steps for a reliable internet connection

1. PLUG

2. CONNECT



Building construction can cause your home to work against your network- **not the case with HomePlug Powerline**



HomePlug Powerline is **RIDICULOUSLY FAST**

HomePlug AV reaches speeds up to **200 Mbps**₁



HomePlug AV2 reaches speeds up to **500 Mbps** to **1 Gbps**₂

Streaming **4K** video? **NO PROBLEM!**

OVER 100MM

HomePlug Networking devices in the market today₃

and are expected to grow more than

32%

each year from 2011 to 2017₄

Powerline (PLC) is also a **key ingredient** in hybrid networks

62.25 -6
+1
+5

Plc

14
2-6-12-13

HOMEPLUG

+

79.904 -1
+1

Wi-Fi

35
2-8-18-7

WiFi

=

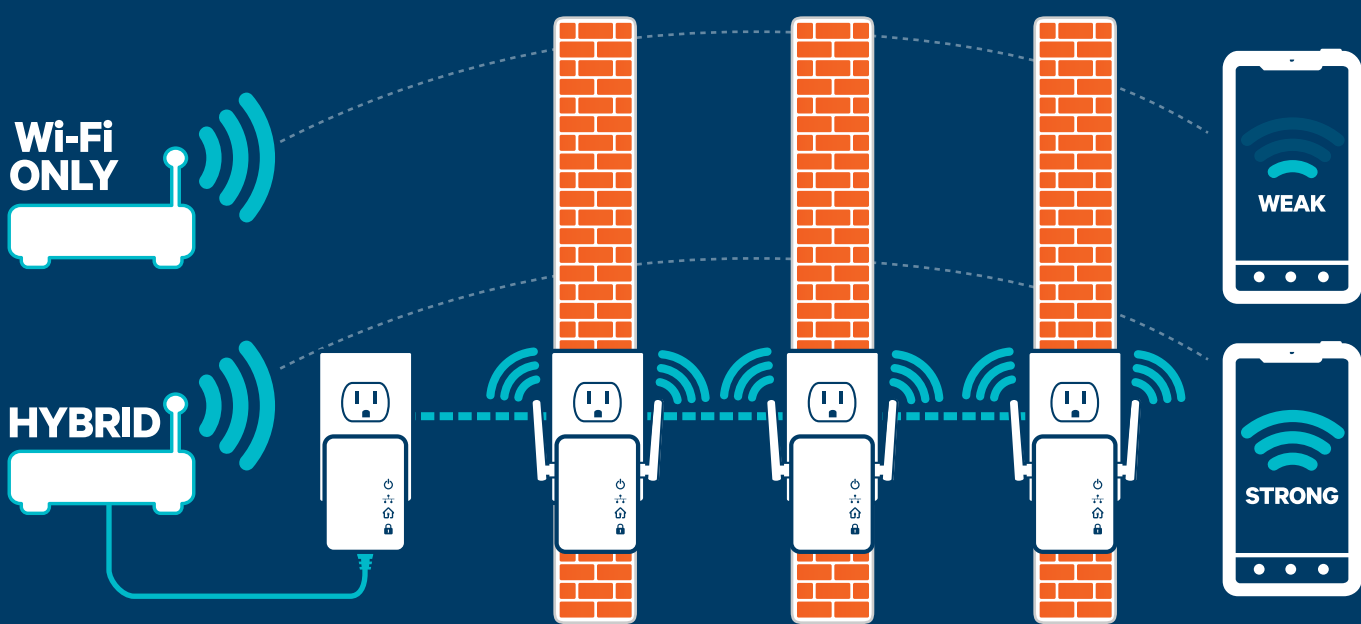
936 -7
+2
+5

Hybrid

49
4-14-40-20

nVoy

Hybrid products allow you to easily extend your wireless network



DON'T FORGET



Look for the HomePlug certification mark when purchasing your Powerline products



QUALCOMM

Performance is in the House.

Source: ¹HomePlug AV Specification; ²HomePlug AV2 Specification; ³HomePlug Powerline Alliance; ⁴IMS Research, April 2013. © 2014 Qualcomm is a registered trademark of Qualcomm Incorporated. HomePlug is a registered trademark of the HomePlug Powerline Alliance. All other registered and unregistered trademarks are the property of Qualcomm Incorporated, Qualcomm Atheros, Inc., or their respective owners and used with permission. Registered marks owned by Qualcomm Incorporated and Qualcomm Atheros, Inc. are registered in the United States and may be registered in other countries. Qualcomm Powerline solutions are products of Qualcomm Atheros, Inc.